

# MAGNET SQUEEZE DISPENSER INSTALLATION GUIDE

NON-REFILLABLE / 450ML e 15.2 FL OZ

DISPENSER SIZE: 65 L x 78 w x 249 H (mm)

MATERIAL: PE Bottle & ABS Bracket

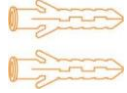
IN FO: Tamper-Resistant Bracket, Patented Valve Cap, & Fluid Indicator Window



# MAGNET SQUEEZE DISPENSER INSTALLATION GUIDE

## PARTS INCLUDED IN INSTALLATION

### PARTS INCLUDED IN INSTALLATION KIT



(3)  
WALL ANCHORS



(3)  
SCREWS



(3)  
SCREW COVERS



(1)  
TAPE



(1)  
BRACKET



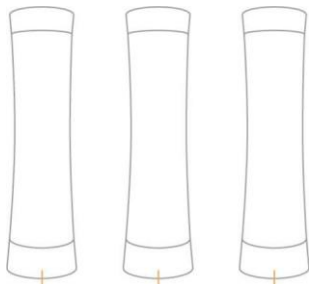
(1)  
BOTTLE



(1)  
MAGNETIC KEY

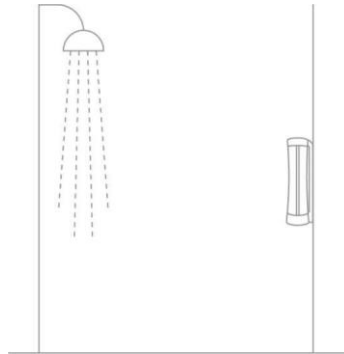
### RECOMMENDED PLACEMENT GUIDE

ON THE BACK WALL, OPPOSITE OF  
(NOT TO SCALE)



11cm 11cm

THE SHOWER HEAD



CENTERED ON  
BACK WALL

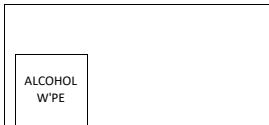


48in  
max  
(121.9cm)

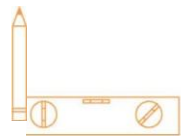
ADA

COMPLIANT  
(Operable part must be located  
within the reach ranges)

### RECOMMENDED TOOLS



ALCOHOL WIPE PENCIL



LEVEL



TAP E MEASURE



TAP E



CAULK



POWER DRILL



HAMMER



SCREW DRIVER

### ADDITIONAL INFO

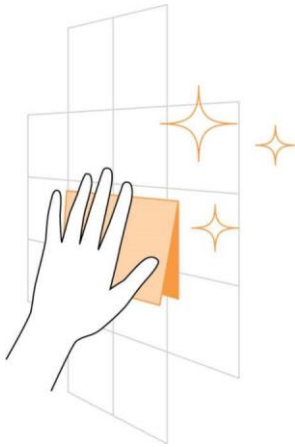
Use

Do not use a corrosive detergent.  
a soft damp cloth, warm water, and mild cleaner to clean bottles and brackets.  
Recommended installation is mounting bracket with both screws and tape.

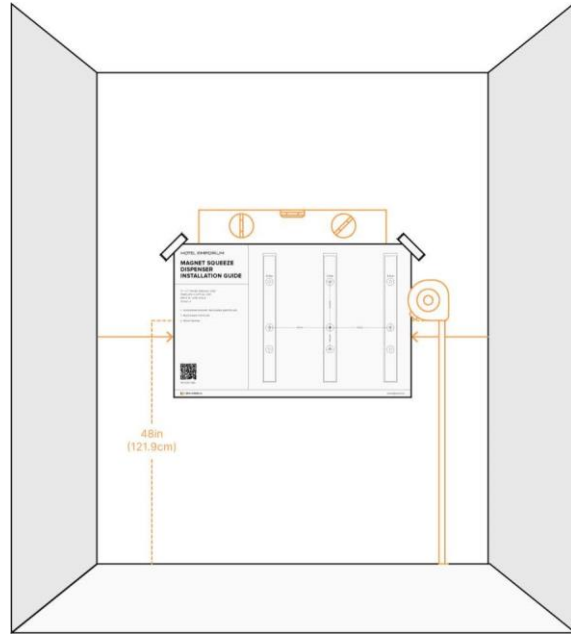
### MAGNET KEY INFO

## MAGNET SQUEEZE DISPENSER INSTALLATION GUIDE

Avoid magnetic key contact from all electronic devices and IC cards.  
Ask staff to hang magnetic key on the handlebars of the cleaning trolley.

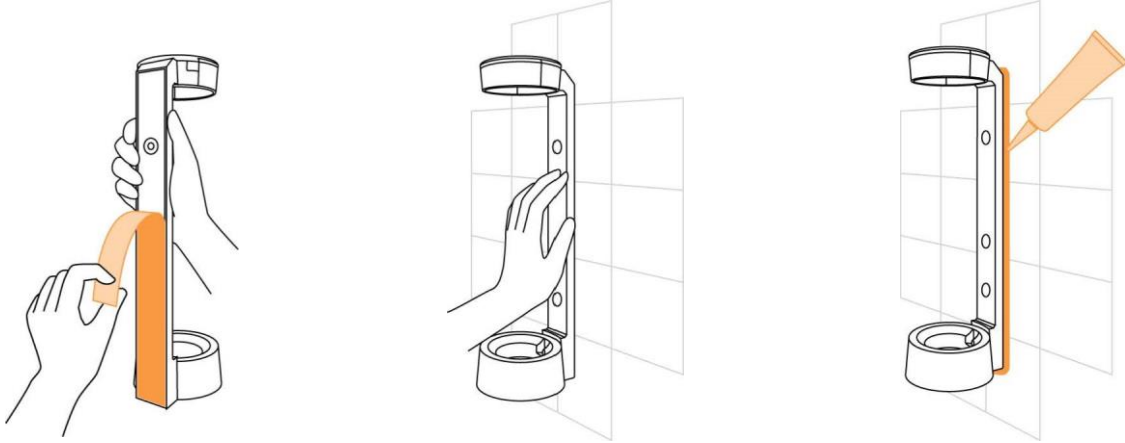


Clean surface thoroughly with alcohol wipe. Make sure surface is fully dry before installation.



Determine the proper placement of dispenser. Tape template onto the wall and make sure template is level. Recommended height is 48" from the floor to the middle of the dispensers.

## MAGNET SQUEEZE DISPENSER INSTALLATION GUIDE



### Tape Installation

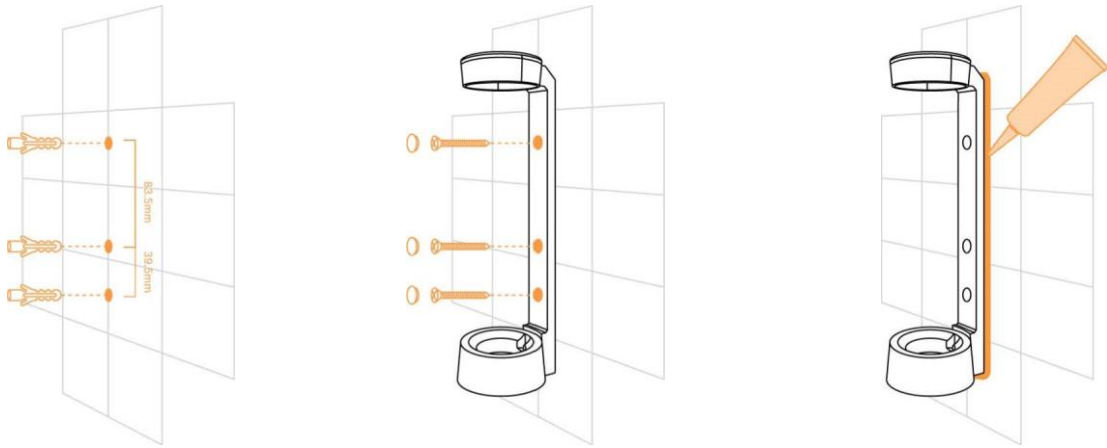
For tape installation, clean back of bracket then 3. Add screw covers into holes on the bracket. adhere the double sided 3M mounting tape to the bracket. Peel film off. 4. Place a line of adhesive caulk around the bracket to prevent water and grime from getting

2. Press bracket firmly onto the wall for 30 seconds behind the bracket. Wipe away any excess caulk. until it is secured. Repeat process for other Wait 72 hours before inserting the bottles to brackets. Remove template. allow tape to securely set.

1.

3B

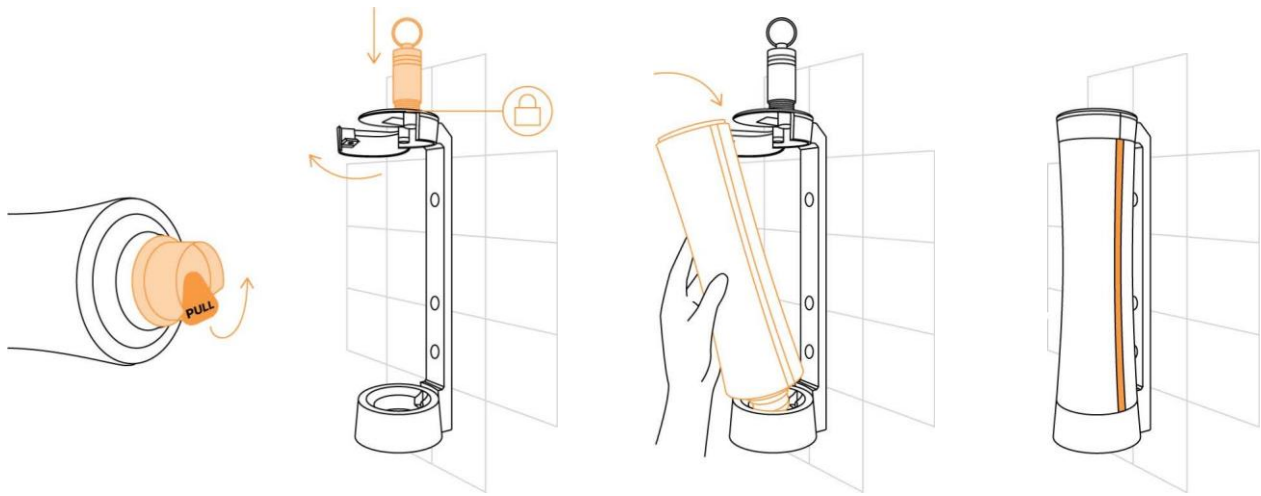
## MAGNET SQUEEZE DISPENSER INSTALLATION GUIDE



### Screw Installation

1. For screw installation, use bracket to mark the 3. Place bracket into position on the wall and bracket holes on the wall. Drill bracket holes into tighten screws in place. Add screw covers over the wall. the screws.
2. Insert wall anchors with your hands, then use a 4. Place a line of adhesive caulk around the hammer to tap anchors flush into the wall. bracket to prevent water and grime from getting behind the bracket. Wipe away any excess caulk. Wait 24 hours for caulk to dry.

## MAGNET SQUEEZE DISPENSER INSTALLATION GUIDE



### Preparing & Replacing Bottles

Pull the valve cap tab at the bottom of the bottle to prepare bottle for use. Unscrew magnetic key cap and place key on the lock symbol to unlock the bracket. Open bracket arm and place the bottle inside. Close the arm and remove key. Dispenser is ready to use!

To replace bottles, repeat steps above.

