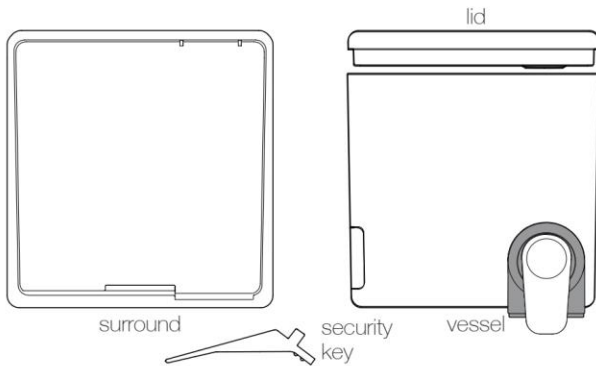


## what's included



## installation

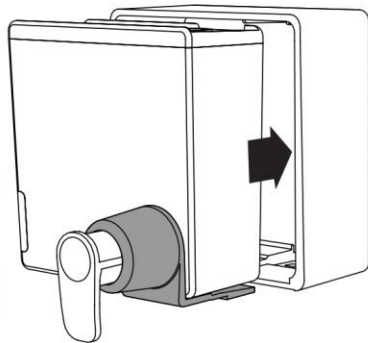
- 1: Determine where you are going to mount mosaic. Ensure mounting surface is clean and free of debris.



- 2: Apply a **waterproof adhesive** that is appropriate for your mounting surface to the indicated area on the back of the surround.
- 3: Remove the tape backing and apply the surround to the wall. Use a level to ensure it is straight. **Allow the adhesive to set before inserting the vessel.**

- 4: Once the adhesive has set \*, simply push the vessel into the surround until it clicks into place.

\*Refer to your product guidelines for adhesive required dry time.



## warranty information

JRS Amenities provides a one year limited warranty on all parts against manufacturers defects. If you encounter any problems caused by manufacturers defects within this period please contact a representative at:

Mosaic dispensers are rated for products within a viscosity range of 150mPas – 50,000mPas. JRS cannot guarantee proper operation of the dispenser if your product falls outside this range. Use of products outside of the approved viscosity range shall invalidate all warranties contained herein. This warranty does not cover accidental damage, unreasonable use, normal wear and tear, nor does it cover repairs attempted by unauthorized persons.

## fill procedure

- 1: Insert the security key into the holes on the underside of the surround while pulling on the collar to remove the vessel.

- 2: Remove the lid and refill the vessel with liquid product, then replace the lid in the same orientation.

- 3: Push the vessel back into the surround and click into place.