

20 mm
21.5 mm



Foundations

5216 Portside Dr. Medina, Ohio 44256 USA
330.772.5033
www.foundations.com

Foundations (上海) 儿童用品有限公司
中国 (上海) 自由贸易试验区德耀路38号2幢楼二楼212-16室
www.foundations.com

PINNACLE

□ 1331360

□ 1331369

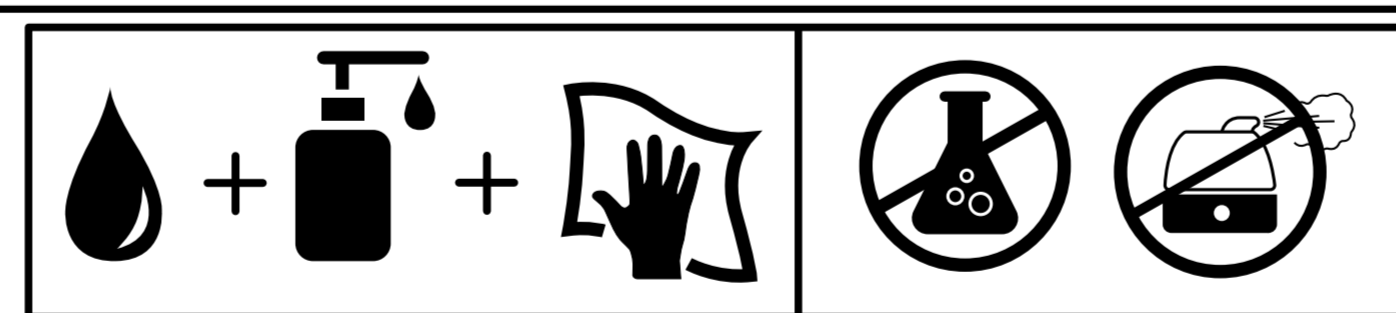
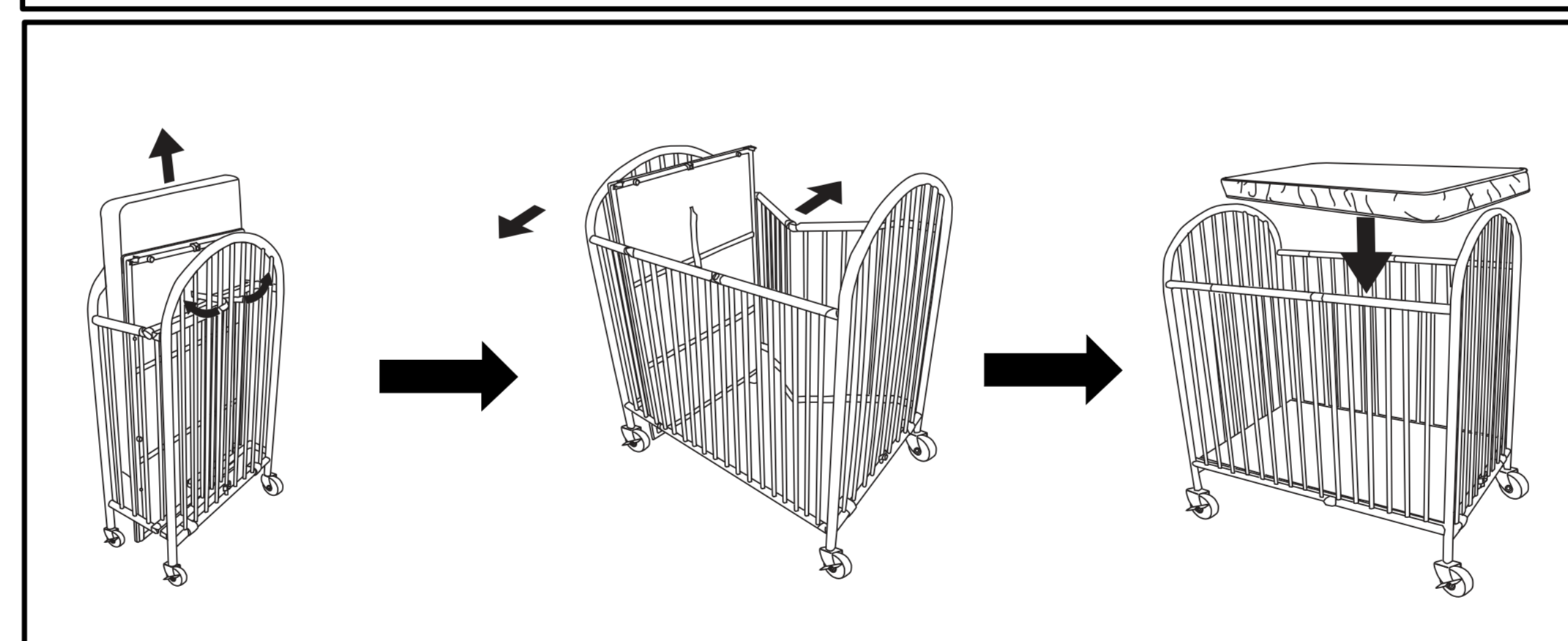
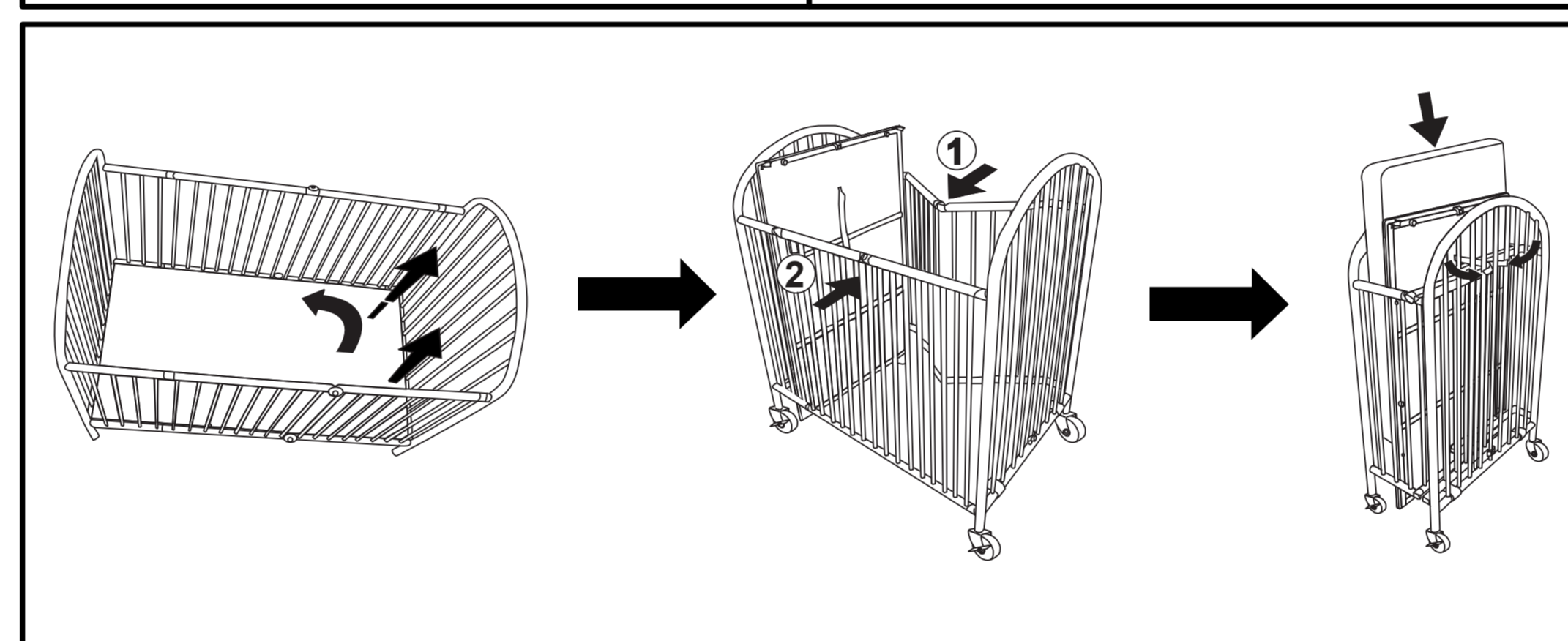
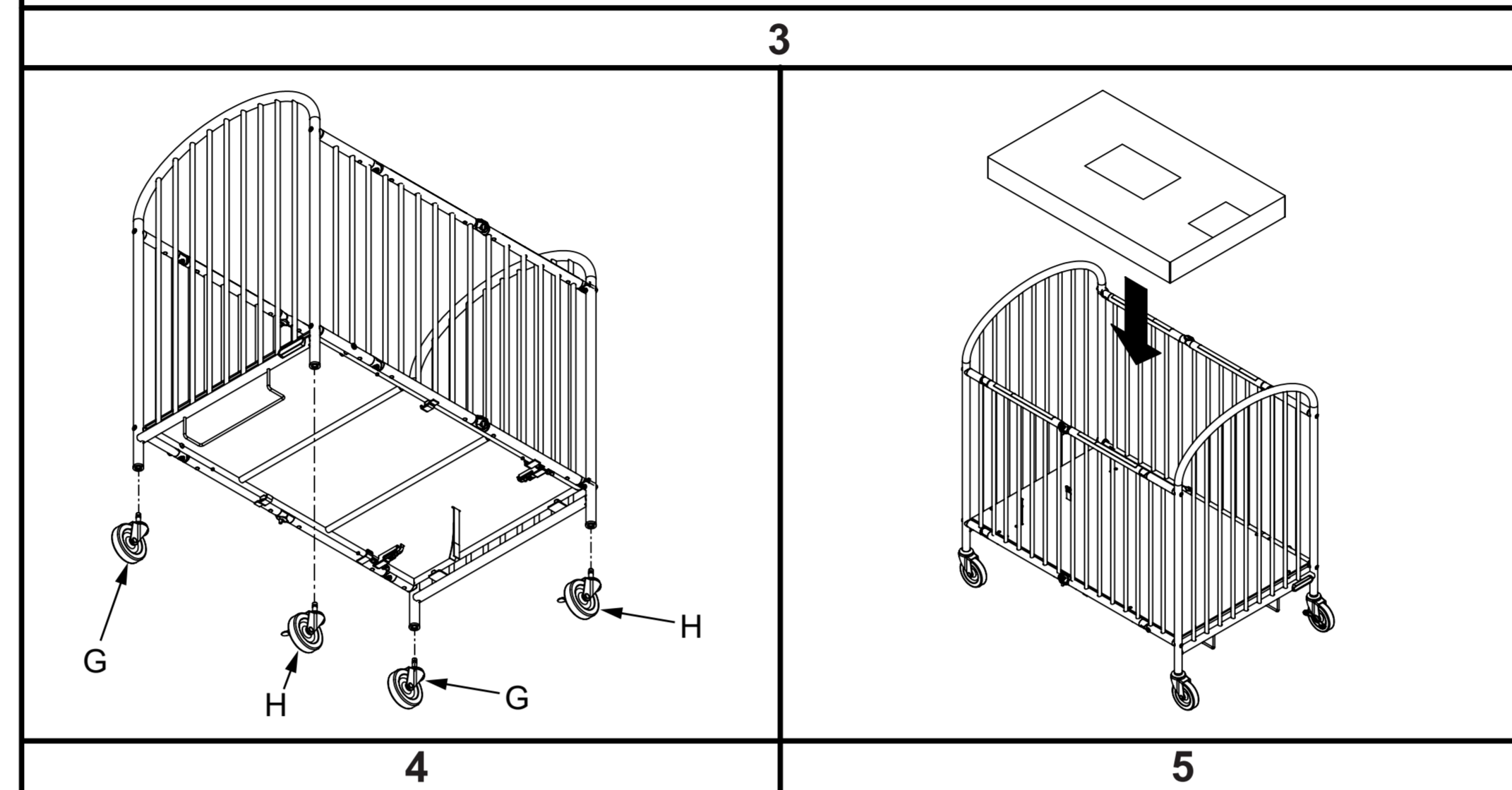
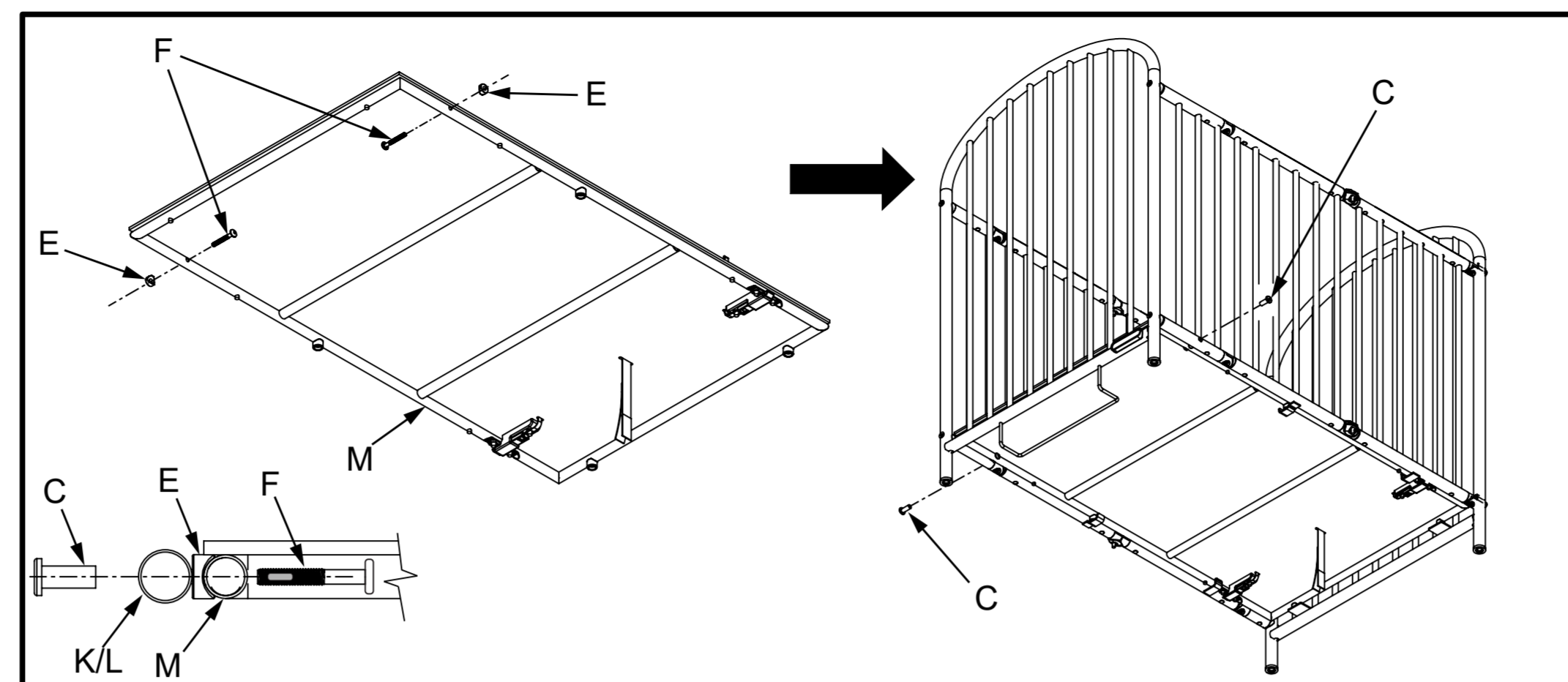
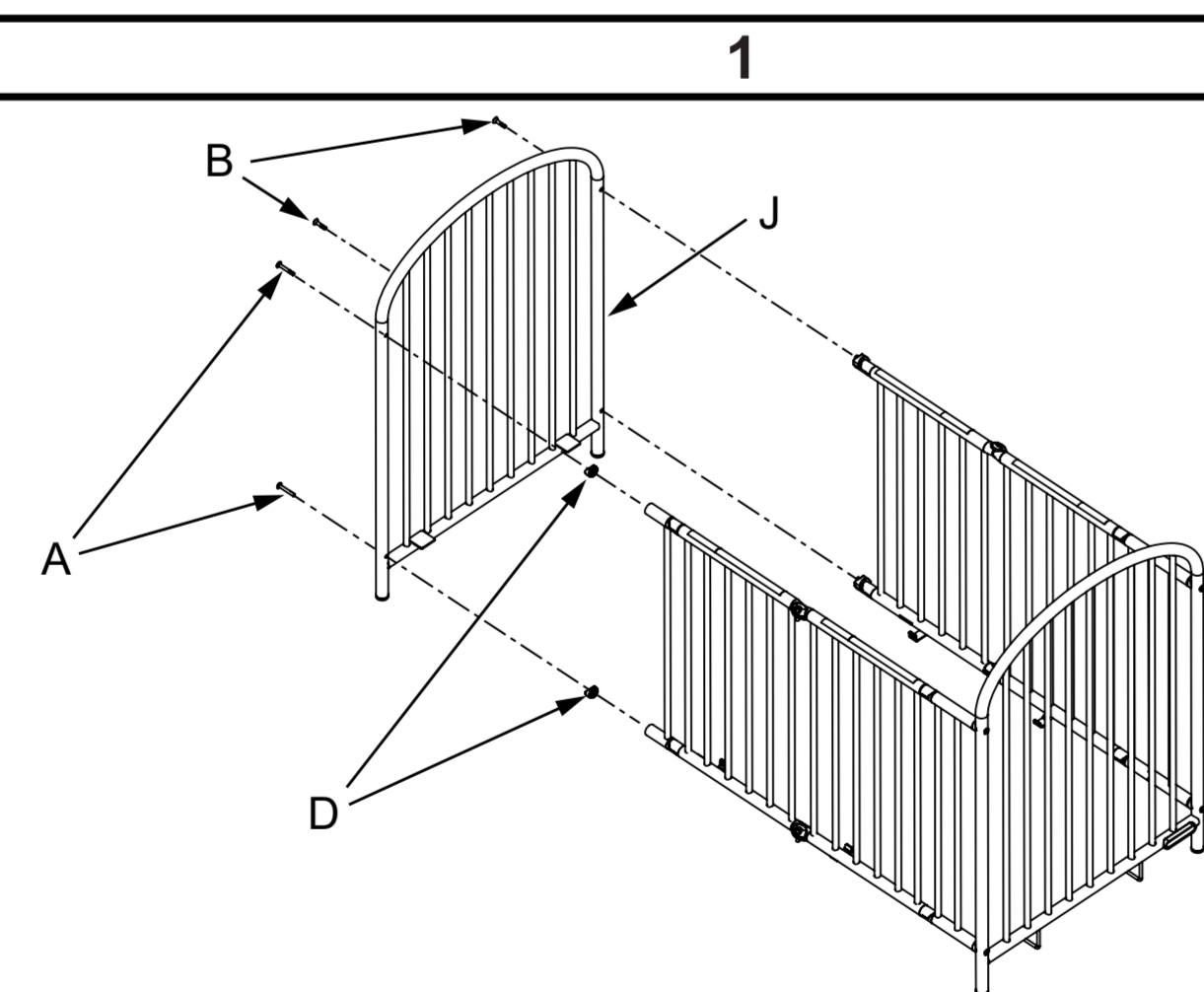
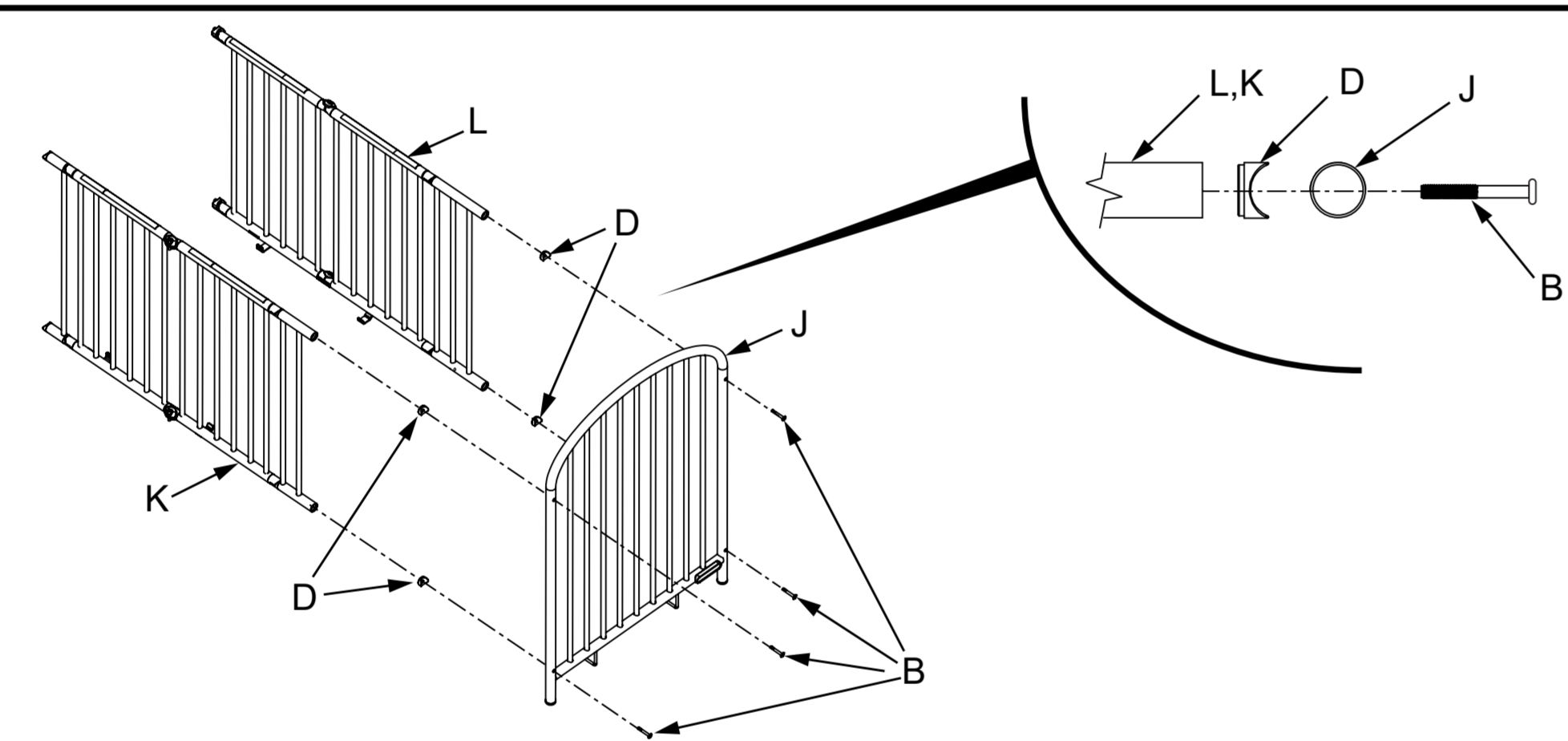
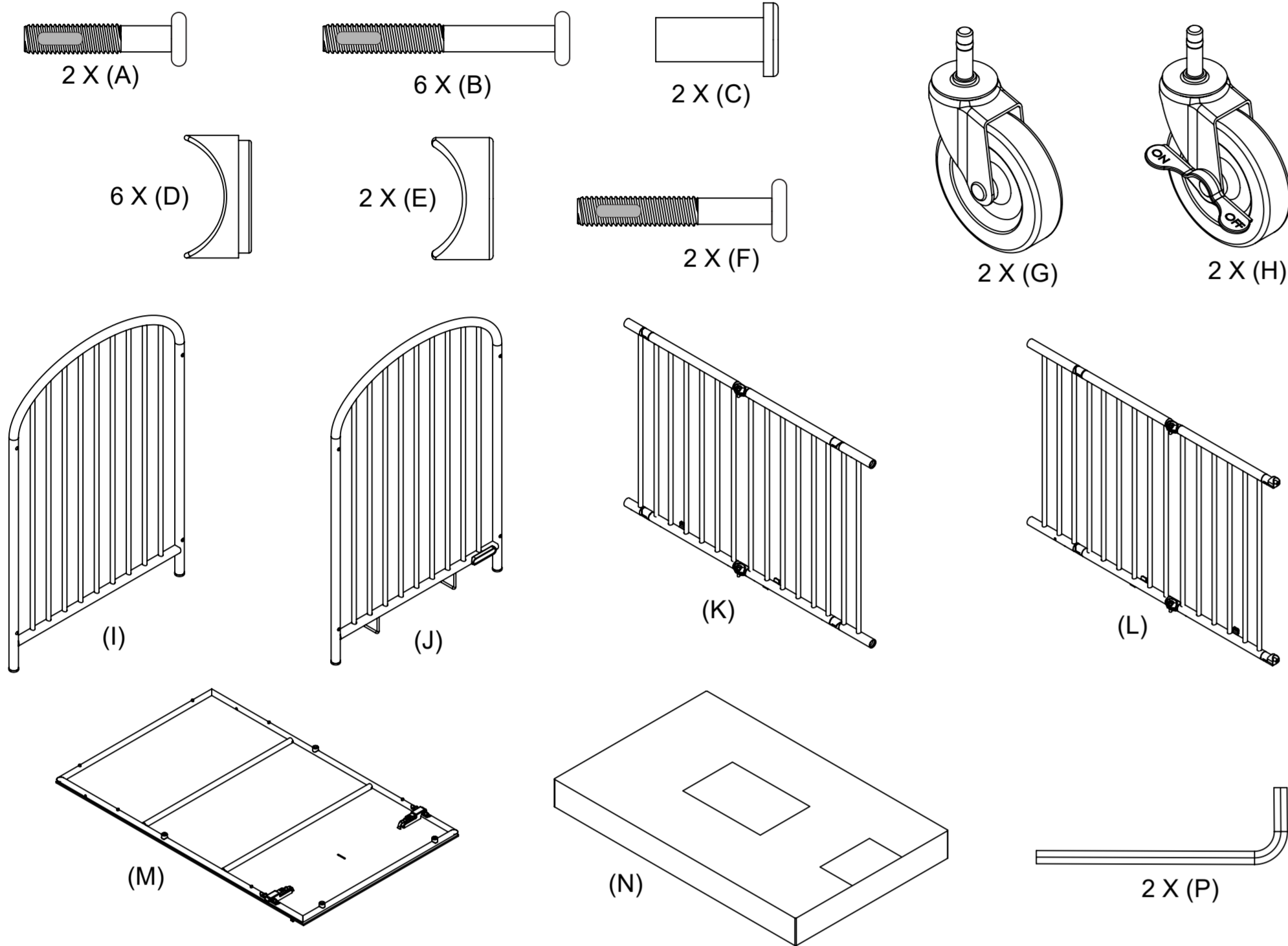
SC: 79

DATE / DATE / FECHA / DATUM /
DATA / TARİH / تاريخ / 日期
XX/XXXX

ORDER NUMBER / NUMÉRO DE COMMANDE /
NÚMERO DE ORDEN / BESTELNUMMER /
NUMERO D'ORDINE / SIPARIŞ NUMARASI /
ردال ا ٲور / 訂單號
XXXX

MADE IN CHINA / FABRIQUÉ EN CHINE / HECHO EN CHINA / IN CHINA
HERGESTELLT / FATTO IN CINA / ÇİN YAPIMI / ن ٲرللاب عرص / 中国制造

AS20019E



PATENTS / BREVETS / PATENTES / PATENTE / BREVETTI / عارت خال ا امارب / 專利
www.foundations.com/patents

Dotted Lines, Arrows and Measurements DO NOT PRINT - INFORMATIONAL ONLY

NOTE TO MANUFACTURER: THE ORDER NUMBER AND DATE OF MANUFACTURER MUST BE IN TEXT SIZE LARGER THAN 4 MM IN HEIGHT (ON CAPITAL LETTERS). ALSO, THE DATE OF MANUFACTURER MUST BE LISTED NUMERICALLY WITH THE MONTH FOLLOWED BY THE YEAR IN THAT ORDER (XX/XXXX).

Part No.: AS20019E	Size: 605mm x 568mm
Part Name: Pinnacle Compact Crib Warnings for Mattress Board Bottom	Background Color: None
Original Issue Date: 2/28/2018	Print Color: Black
Revision Date: 10/19/2018	This is a Screen Print Layout. Black is the only color to be printed.
Revision Level: E	Notes:
B. Deleted part numbers from parts diagram.	- Informational Text and Rectangles (Shown in Pink) are not to be printed
C. Changed line weights	
D. Removed line elements from artwork	
E. Factory bolt change	