

PUMP LOCK DISPENSER INSTALLATION GUIDE

REFILLABLE / 300ML e 10 FL OZ

TRIPLE UNIT DISPENSER SIZE: 200 L x 80 W x 170 H (mm)

MATERIAL: PET Bottle & ABS Bracket

INFO: Tamper-Resistant Bracket

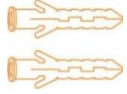


PUMP LOCK DISPENSER INSTALLATION GUIDE

PARTS INCLUDED IN INSTALLATION KIT

(PRE-ASSEMBLED)

(SHAMPOO, CONDITIONER, & BODY WASH ARE NOT INCLUDED)



WALL ANCHORS



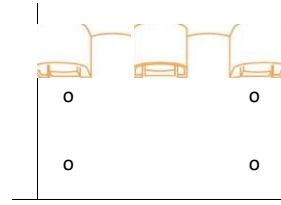
SCREWS



M TAPE



KEY



BRACKET



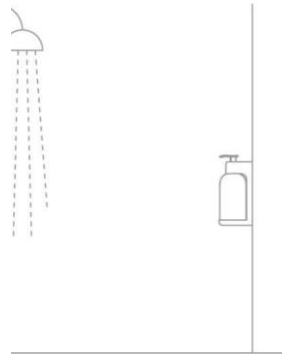
300ML BOTTLE

RECOMMENDED PLACEMENT GUIDE

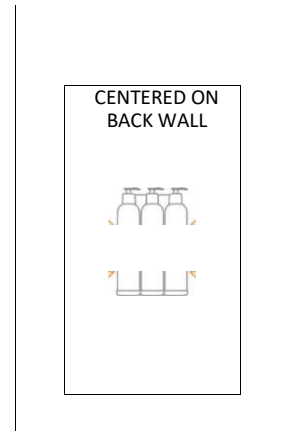
AWAY FROM THE SHOWER HEAD

ON THE BACK WALL, OPPOSITE OF

(NOT TO SCALE)



ADA COMPLIANT



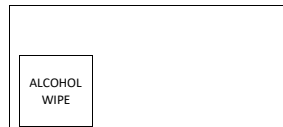
CENTERED ON BACK WALL



48in max

(121.9cm)

RECOMMENDED TOOLS



ALCOHOL WIPE

LEVEL



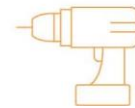
TAPE MEASURE



TAPE



CAULK



POWER DRILL



HAMMER



SCREW DRIVER

ADDITIONAL INFO

Do not use a corrosive detergent.

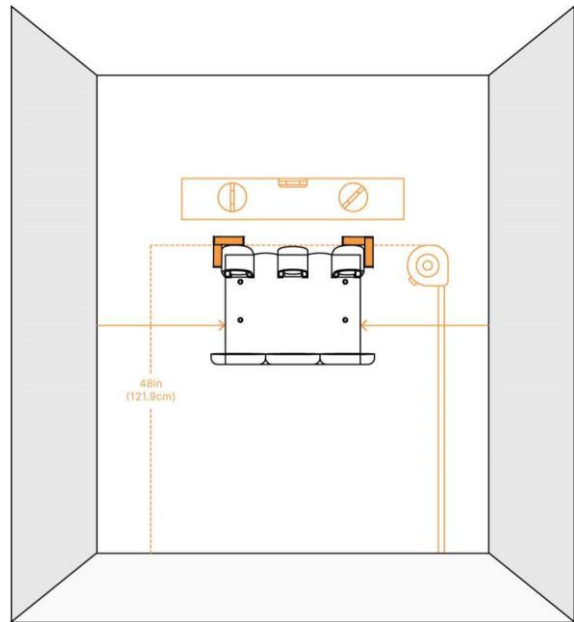
PUMP LOCK DISPENSER INSTALLATION GUIDE

Use a soft damp cloth, warm water, and mild cleaner to clean bottles and brackets. To deep clean, has be remove dispensers and fill them with warm soapy water. Rinse and pump until water emptied. Air dry completely before refilling liquid and reassembling the dispenser. Recommended installation is mounting bracket with both screws and tape.

Disclaimer: Hotel Emporium is not responsible for contamination of bacteria growth in dispensers due to infrequent and/or improper cleaning.

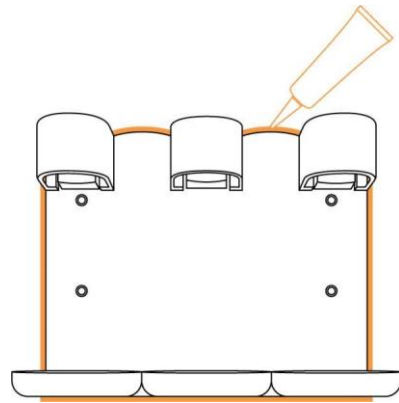
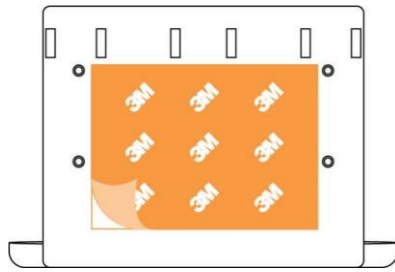


Clean surface thoroughly with alcohol wipe. Make sure surface is fully dry before installation.



Determine the proper placement of dispenser and make sure it is level. Mark the upper corners. Recommended height is 48" from the floor to the pump of the dispensers.

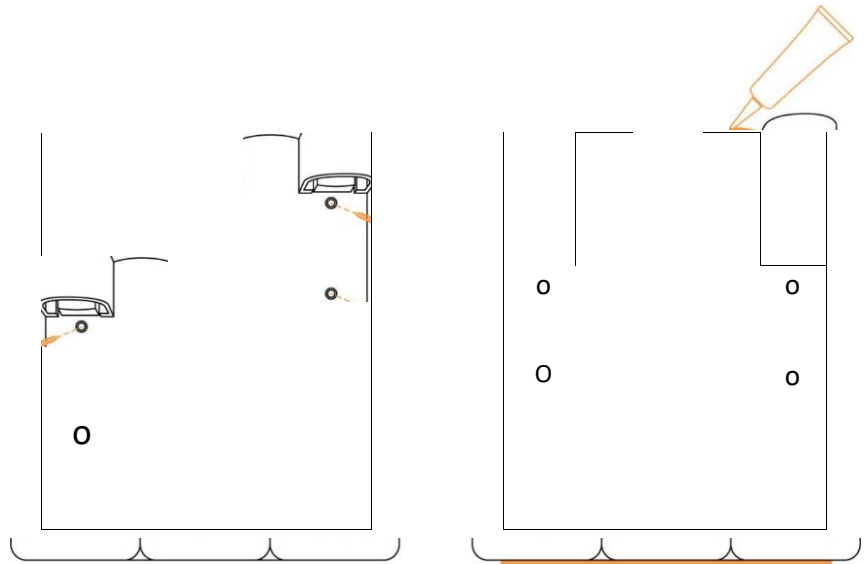
PUMP LOCK DISPENSER INSTALLATION GUIDE



Tape Installation

1. For tape installation, clean back of bracket then around the adhere the double sided 3M mounting tape to grime from getting the bracket. Peel film off. behind the bracket. Wipe away any excess caulk. Wait 72 hours before inserting the bottles to secured.
2. Press bracket firmly onto the wall for 30 seconds
3. Place a line of adhesive caulk bracket to prevent water and allow tape to securely set. until it is

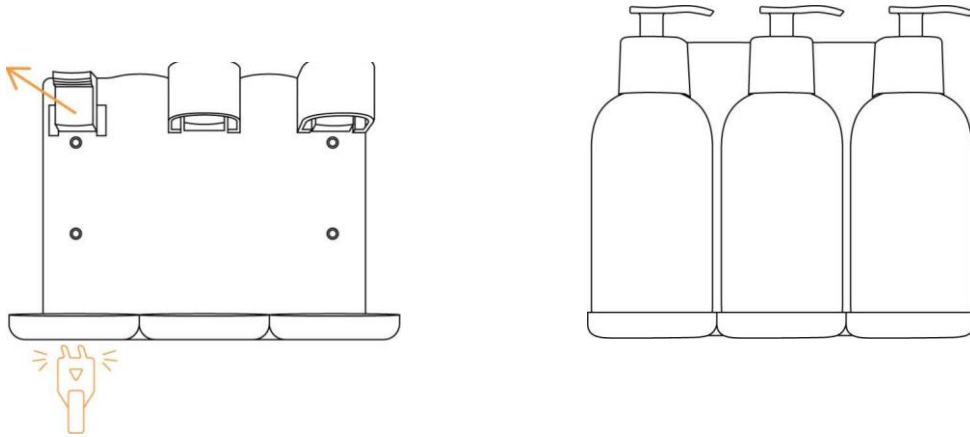
PUMP LOCK DISPENSER INSTALLATION GUIDE



Screw Installation

1. For screw installation, use the bracket to mark 3. Place bracket into position on the wall and use the bracket holes on the wall. Drill bracket holes screwdriver to tighttetn screws in place. into the wall.
4. Place a line of adhesive caulk around the
2. Insert wall anchors with your hands, then use a bracket to prevent water and grime from getting hammer to tap anchors flush into the wall. behind the bracket. Wipe away any excess caulk. Wait 24 hours for caulk to dry.

PUMP LOCK DISPENSER INSTALLATION GUIDE



Press key upwards at the bottom of the bracket as you pull off neck clamp. Load the bottles in the bracket. Place the neck clamp over the pump top and push it in until a "click" is heard.
Dispenser is now ready to use!

To refill dispensers, repeat step above to remove neck clamp and refill or clean bottles.
Reassemble bracket after refilling or cleaning is complete.